

FQ VISION SENSOR

Beyond simplicity



» One-touch operation

» Crystal-clear imaging

» Flexible platform

Simply guided & crystal clear

Omron defines a new era of simplicity and performance with the new FQ vision sensor range. Now you can benefit from state-of-the art technology without complex operation instructions or technical know-how. With one-touch control via PC or the intuitive Touch Finder console, you can access all functions and settings quickly and easily. Excellent image quality is achieved from even the most challenging surfaces, with advanced processing tools. And because the FQ Vision Sensor is available in a wide range of models, you won't have to compromise with a choice that has too many or too few features for your needs. Therefore you can be sure of a best-fit solution for your particular application.

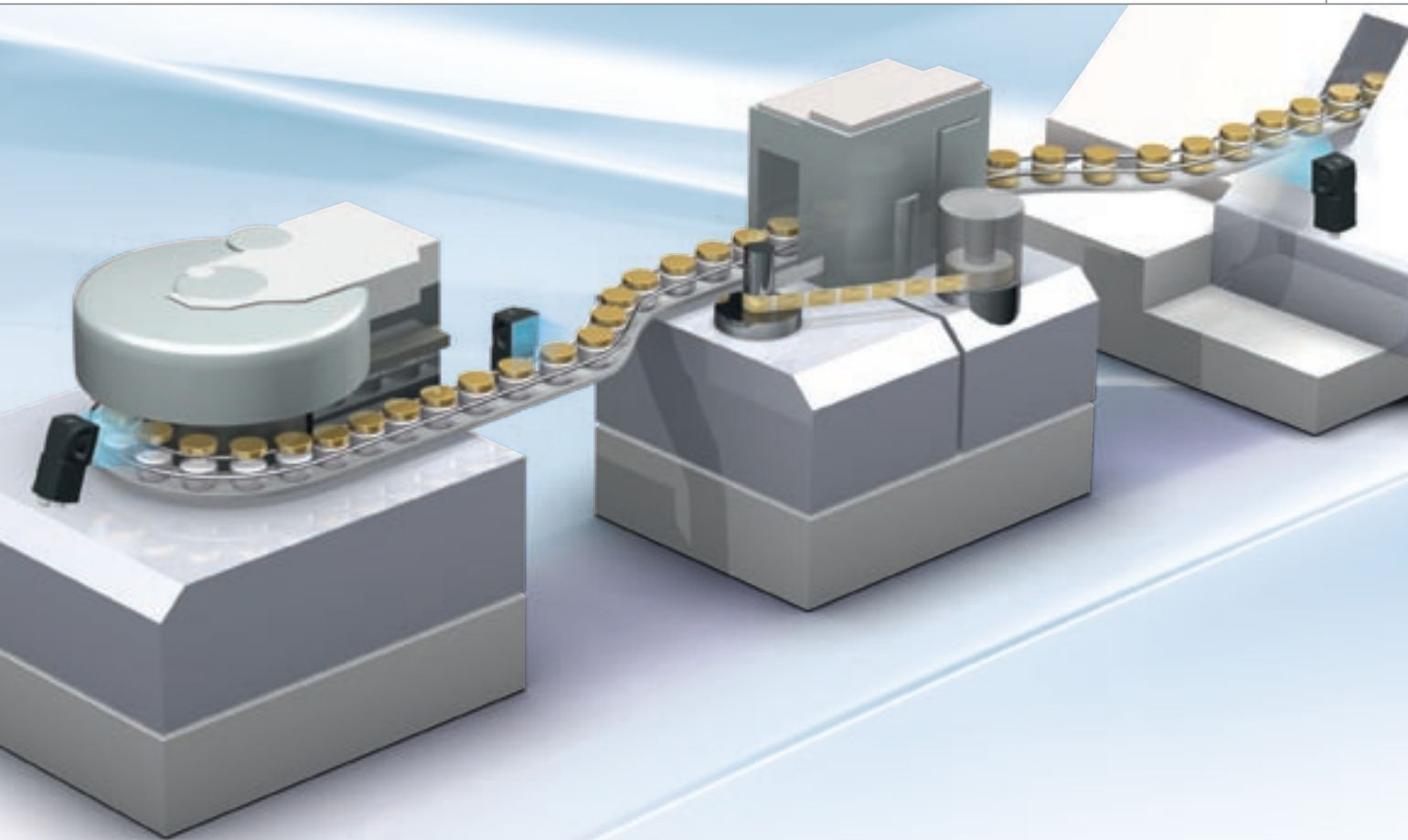
Features

- One-touch control via simple, icon-driven menu
- Crystal-clear image quality
- Real Colour Processing (16 million colours)
- Operation via PC or Touch Finder screen

Benefits

- Simple and guided set-up
- Reliable results on any surface
- Remarkable flexibility – always a perfect match and not a compromise for your application





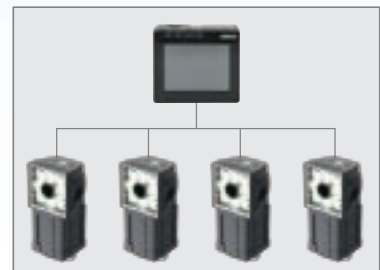
Make it sharp

High performance LEDs and powerful filtering deliver clear images on even the most difficult surfaces.



Simple guidance

With the simple navigation menu, you always know where you are with your production.



Flexible platform

Select the vision sensor that best fits your application and decide how you want to operate it.

Compact and robust

The FQ Vision Sensor is our most compact solution, combining a camera and an image processor within one housing. There is no need for costly and space-consuming external lighting, thanks to the built-in lens and high performance LED. The IP67 protection rating enables the FQ to be also used in harsh environments.

Compact size and robust housing – fits into any machine

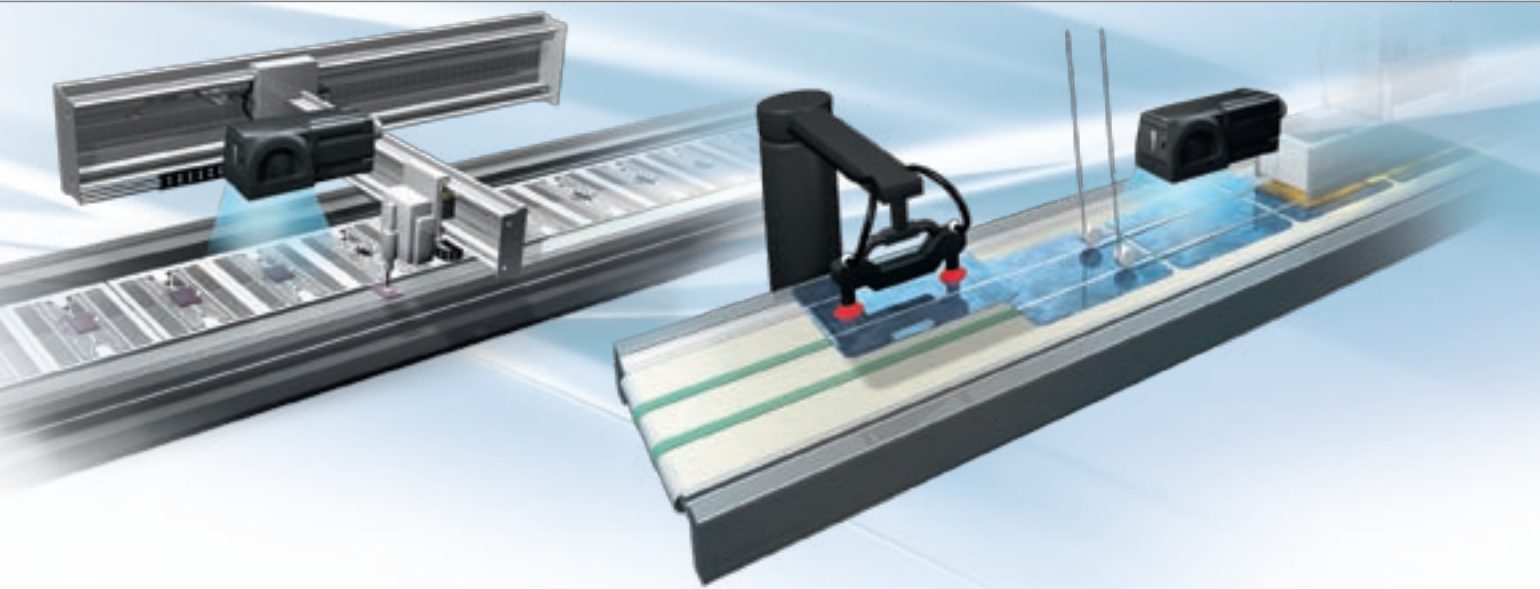
High power LEDs – unique in its class

Built-in lens – simple fine tuning of camera focus

Powerful image processor – high speed inspection, outstanding filtering

Industry grade connectors for trigger and I/O, Ethernet and power.

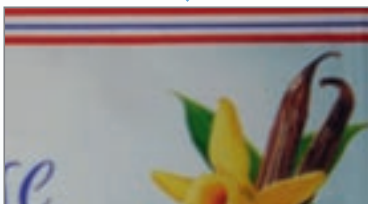




A new benchmark in image clarity

As well as being a breakthrough in simplicity, the Omron FQ Vision Sensor also gives you the very best in image quality and clarity. For the first time in this class you can now benefit from a range of advanced image capture and processing features. Powerful LEDs, HDR, polarization and halation filters enable stable inspection on surfaces where conventional vision sensors see nothing. The clear image enables a simple installation, as the angle of view is not critical anymore.

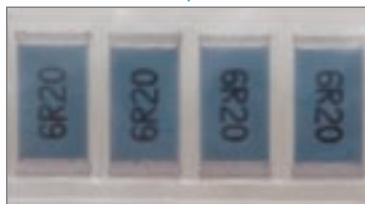
Print industry: multicolour objects



Real colour sensing

All RGB gradations (16+ million) are processed directly. No grayscale conversion or colour filtering required.

Electrical parts: lowest contrast



High power lighting

Contrast was once a major issue in image processing. With the FQ Vision Sensor however, every image is bright and clear, with perfect contrast for reliable results.

Automotive: shiny and reflective



HDR sensing

Variations in lighting conditions can cause unwanted glare or halation. HDR minimizes these effects, maximizing the stability of inspection results, even countering piece-to-piece variation or misalignment.

Simply the most flexible product of its type

Flexibility meets simplicity in the Omron FQ Vision Sensor, in design, functionality and ease of use. Suitable for all types of processing and packaging applications, the FQ can be tailored to meet even the most demanding requirements, and any operational concept.

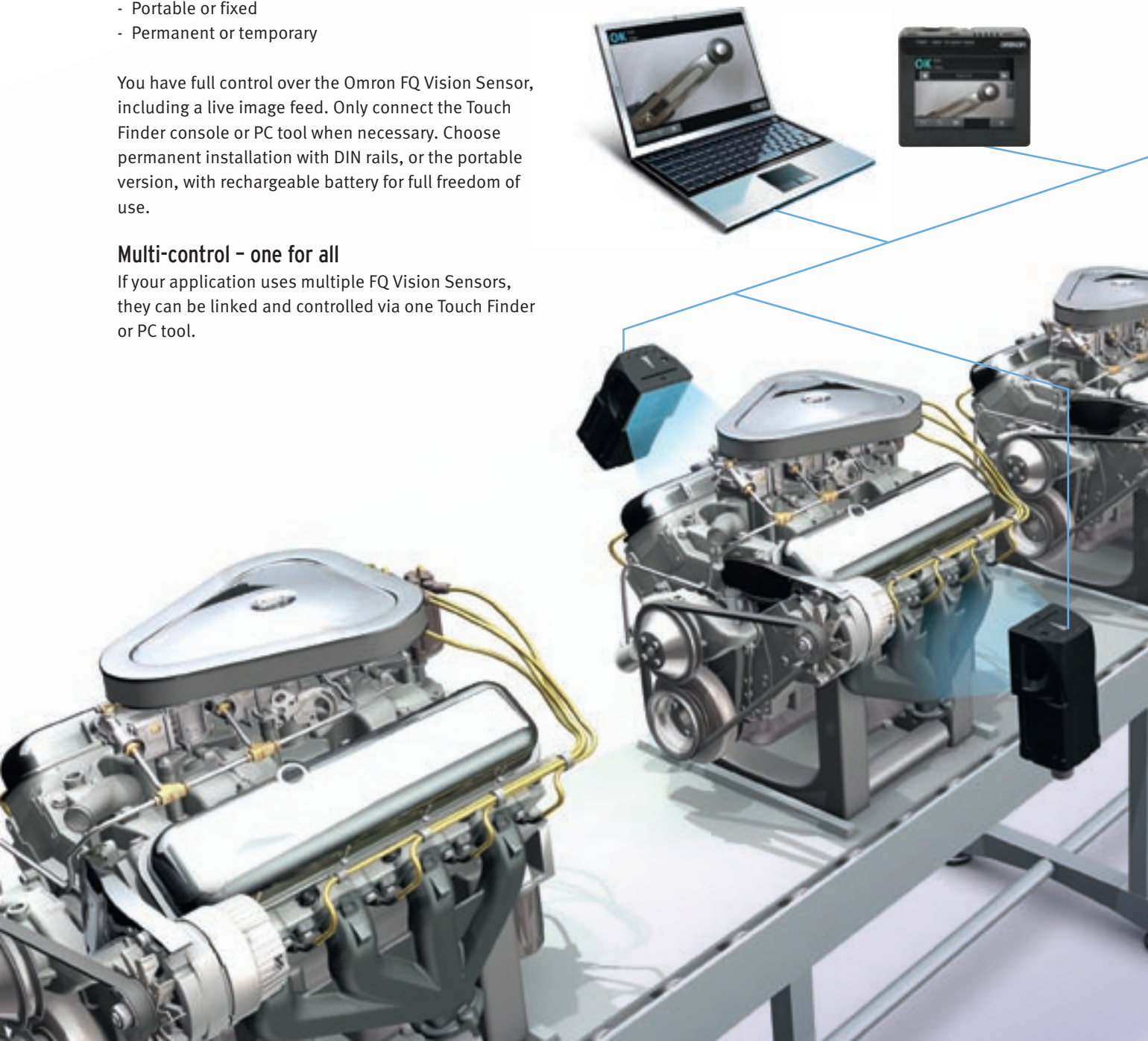
You decide how to set-up and configure

- PC or standalone
- Local or remote
- Portable or fixed
- Permanent or temporary

You have full control over the Omron FQ Vision Sensor, including a live image feed. Only connect the Touch Finder console or PC tool when necessary. Choose permanent installation with DIN rails, or the portable version, with rechargeable battery, for full freedom of use.

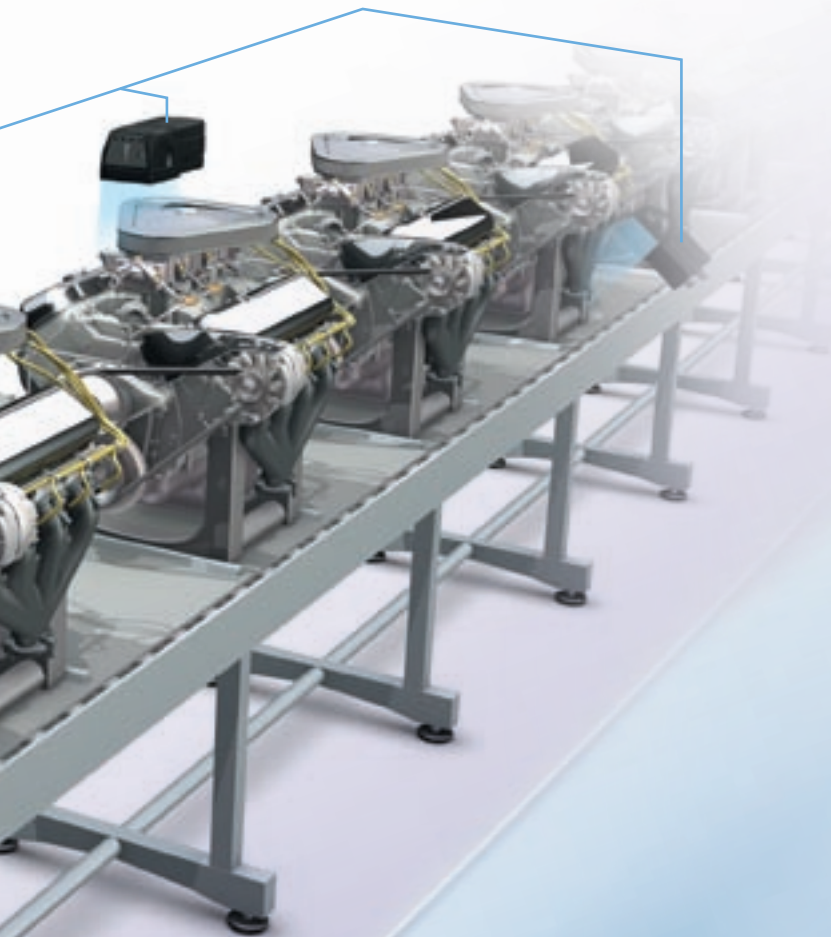
Multi-control – one for all

If your application uses multiple FQ Vision Sensors, they can be linked and controlled via one Touch Finder or PC tool.

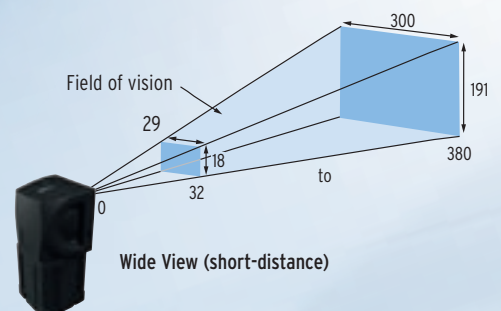
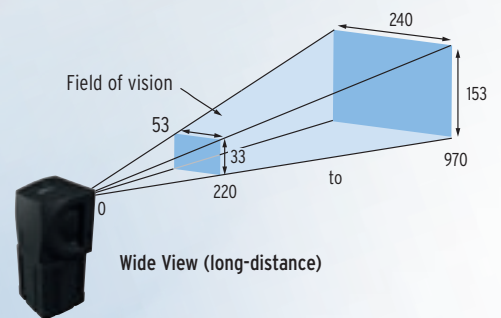
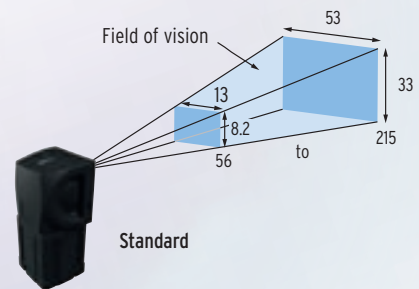
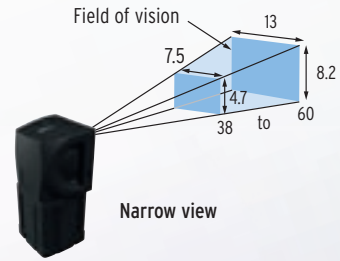


Match your field of view

No matter whether you handle large or small workpieces, the range of the Omron FQ Vision Sensors offers a perfect match. Select the FQ model with the appropriate range and adjust the field of view to your application. Focusing is quick and easy, enabling you to use the sensor for a variety of applications.



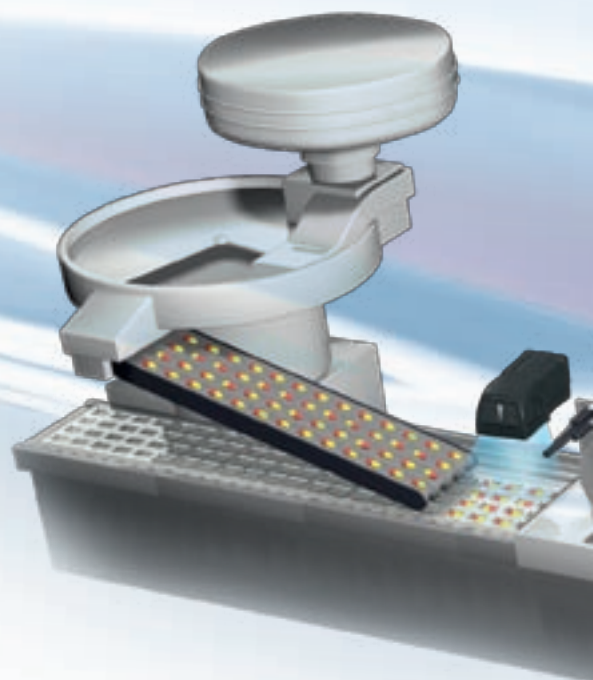
Extensive range: field of view from 7.5 - 300mm.



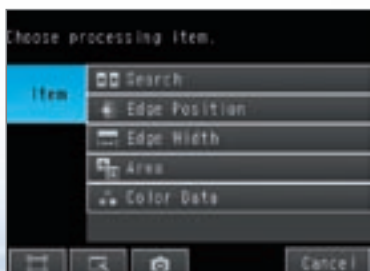
Guided by simplicity

The FQ Vision Sensor takes you into a new dimension of simplicity and intuitive user guidance. Thanks to the innovative navigation menu, you always know where you are. You are guided step by step, and will quickly learn how to navigate directly to any set-up item. Use the powerful auto-functions of the FQ to find the ideal settings. Let the FQ support you through the initial set up and any fine tuning or configuration changes. Users do not need to be experts in image sensors, since the processing intelligence is incorporated into the unit.

Various inspection result views are available: overview, detail, trend or distribution. The FQ display options give you the results you need to make informed decisions about your production.



Touch & start - inspection setup



1. Select the item for inspection



2. Teach the model



3. Set the thresholds



Get the right results every time, in any format



Overview of results

Display the results of all inspection items in one view. Navigate directly to each result with one touch to see the details.



Trend monitor

See the history of inspection results over time. The trend of the production quality can be easily monitored. Countermeasures can be implemented immediately if quality goes down.



Histogram

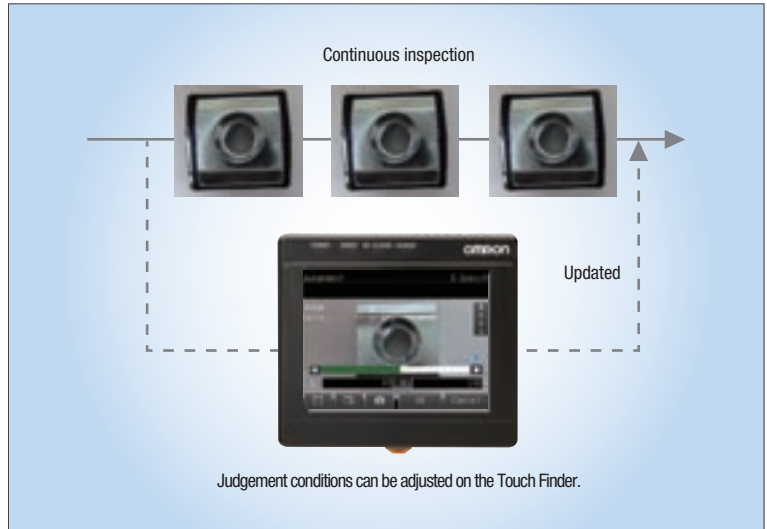
Show the distribution of all measurement results, giving you an instant overview of overall production quality.

Trouble-free Operation On Site

Real-time Threshold Adjustment

The FQ vision sensor allows fast and easy real-time parameter adjustment.

Eliminating the need to stop the machine for fine tuning and optimisation of settings, resulting in zero machine downtime.




Inspection History Logging

Historical results logging is very useful for testing a new line. Samples are fed down the line and inspection results are logged. The logged data can be checked on a time scale in graph form and used to adjust judgement conditions.


File Logging is convenient during operation. Large inspection histories can be saved in SD cards and used later for traceability.

Recent Results Logging



Displays the most recent 1,000 inspection results in graph form.

File Logging



SD card
 Up to 10 million measurement values or more (for a 4-GB SD card)
 Up to 10,000 images or more (for a 4-GB SD card)

Auto Detection

When multiple sensors are connected to the Touch Finder, the display automatically switches to the image of the sensor which has produced an NG result.

This allows dynamic visualisation of reject conditions.

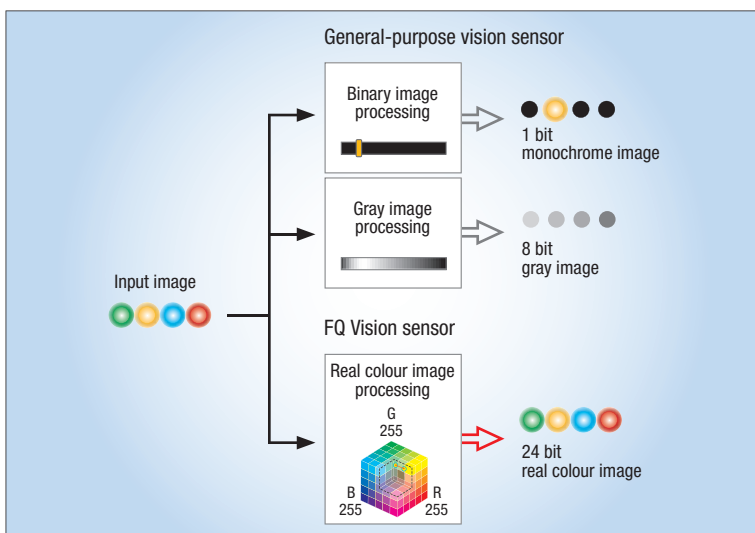


Authentic Vision Technologies are Gathered on FQ

Real Colour Sensing

Most vision sensors on the market operate using greyscale image processing, due to the high demand of processing colour images. However, many applications may be unsuitable or unstable using greyscale processing due to the requirement of colour inspection or poor image contrast.

In order to offer solutions for such issues, the FQ vision sensor combines a high power processor unit and real-colour processing technology which enables fast inspections using colour images. The same technology is used in Omron's flagship model of vision sensors and is widely utilised throughout industry.

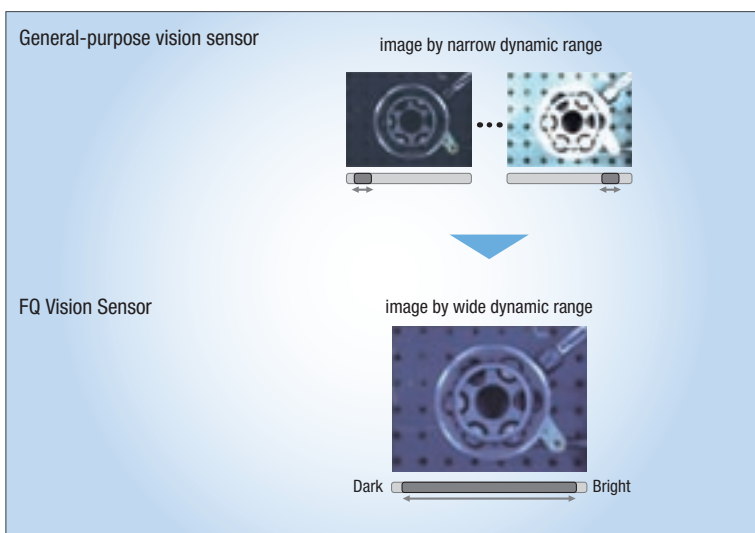


HDR Sensing

Glossy & highly reflective surfaces can often result in "halation" or uneven brightness across an image, coupled with inconsistent workpiece placement inspections can become unstable and unreliable. Such halation is a result of the narrow dynamic range of standard vision sensors.

The FQ vision sensor uses Omron's High Dynamic Range (HDR) processing technology, which increases the dynamic range of the system up to 16 times that of conventional vision sensors.

The result is stable detection of objects which are highly reflective, even if workpiece placement is not consistent.



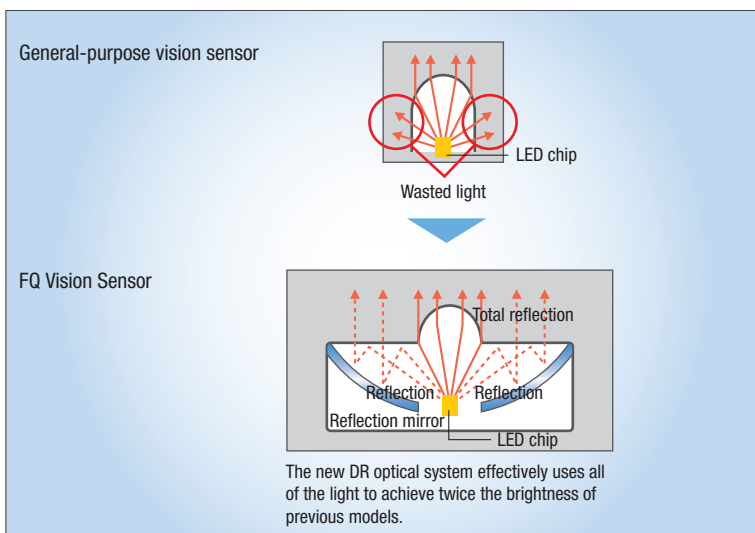
High Power Lighting

Providing suitable illumination for inspections can often be the deciding factor between application success or failure. Especially when inspecting large field of views, even and consistent lighting can be difficult to achieve.

In order to handle such issues, a new DR optical system has been developed for the FQ vision sensor. This system effectively uses all of the LED light to maintain consistent brightness across the field of view at twice the brightness of previous models.

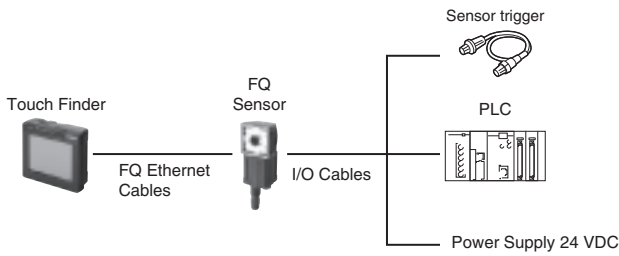
The FQ vision sensor also has a polarisation filter, to cut off the specular reflection light which can result from highly reflective objects, resulting in reliable and consistent inspections.

DR optical system : Double-reflection optical system

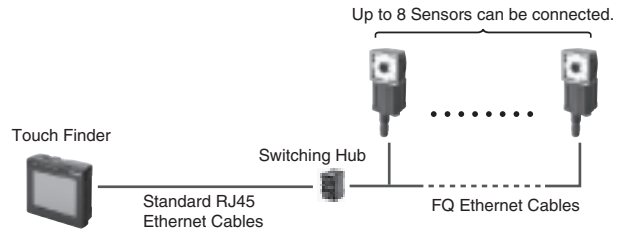


System Configuration

Standard Configuration



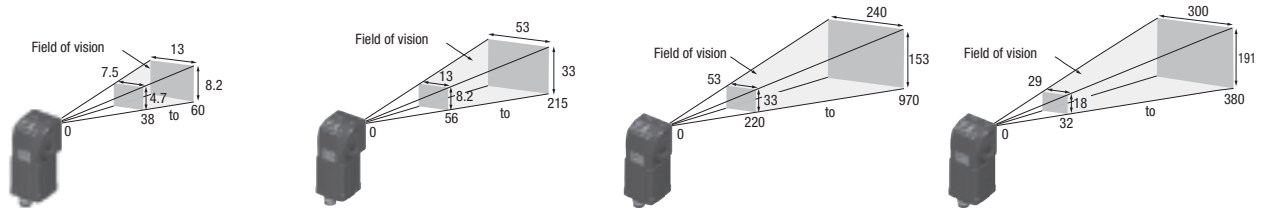
Multiple Connection



Note: If you register as a member after purchasing a Sensor, you can download free setup software that runs on a PC and can be used in place of the Touch Finder. Refer to the member registration sheet for details.

Ordering information

Sensor



Type	Narrow View		Standard		Wide View			
	Single-function models	Standard models	Single-function models	Standard models	Long-distance		Short-distance	
					Single-function models	Standard models	Single-function models	Standard models
NPN	FQ-S10010F	FQ-S20010F	FQ-S10050F	FQ-S20050F	FQ-S10100F	FQ-S20100F	FQ-S10100N	FQ-S20100N
PNP	FQ-S15010F	FQ-S25010F	FQ-S15050F	FQ-S25050F	FQ-S15100F	FQ-S25100F	FQ-S15100N	FQ-S25100N

Note: Tolerance (field of vision): $\pm 10\%$ max.

Touch Finder

Type	Order code
DC power supply	FQ-D30
AC/DC/battery	FQ-D31 ^{*1}

^{*1} AC Adapter and Battery are sold separately.

Cables

Type	Cable length	Order code
FQ Ethernet Cables (connect Sensor to Touch Finder, Sensor to PC)	2 m	FQ-WN002
	10 m	FQ-WN010
	20 m	FQ-WN020
I/O Cables	2 m	FQ-WD002
	10 m	FQ-WD010
	20 m	FQ-WD020

Industrial switching hubs (Recommended)

Appearance	Number of ports	Failure detection	Current consumption	Order code
	3	None	0.08 A	W4S1-03B
	5	None	0.12 A	W4S1-05B
		Supported		W4S1-05C

Accessories

Application	Appearance	Name	Order code
For Sensor		Mounting Bracket (enclosed with Sensor)	FQ-XL
		Polarizing Filter Attachment (enclosed with Sensor)	FQ-XF1
For Touch Finder		Panel Mounting Adapter	FQ-XPM
		AC Adapter (for models for DC/AC/Battery)	FQ-AC_ ^{*1}
		Battery (for models for DC/AC/Battery)	FQ-BAT1
		Touch Pen (enclosed with Touch Finder)	FQ-XT
		Strap	FQ-XH

^{*1} AC Adapters for Touch Finder with DC/AC/Battery Power Supply. Select the model for the country in which the Touch Finder will be used.

Plug type	Voltage	Certified standards	Order code
C	250 V max.	Europlug	FQ-AC4
BF	250 V max.	UK	FQ-AC5

Specifications

Item	Type	Single-function models	Standard models
Model	NPN	FQ-S10_	FQ-S20_
	PNP	FQ-S15_	FQ-S25_
Field of vision		Refer to the table below.	
Installation distance		Refer to the table below.	
Main functions	Inspection items	Search, area, average colour, edge position, and edge width	
	Number of simultaneous inspections	1	32
	Position compensation	None	Supported
	Number of registered scenes	8	32
Image input	Image processing method	Real colour	
	Image filter	High dynamic range (HDR), polarizing filter (attachment), and white balance	
	Image elements	1/3-inch colour CMOS	
	Shutter	1/250 to 1/30,000	
	Processing resolution	752 x 480	
Lighting	Lighting method	Pulse	
	Lighting colour	White	
Data logging	Measurement data	In Sensor: 1,000 items (If a Touch Finder is used, results can be saved up to the capacity of an SD card.)	
	Images	In Sensor: 20 images (If a Touch Finder is used, images can be saved up to the capacity of an SD card.)	
Measurement trigger		External trigger (single or continuous)	
I/O specifications	Input signals	7 signals <ul style="list-style-type: none"> • Single measurement input (TRIG) • Command input (INO to IN5) 	
	Output signals	3 signals <ul style="list-style-type: none"> • Control output (BUSY) • Overall judgement output (OR) • Error output (ERROR) Note: The three output signals can be allocated for the judgements of individual inspection items.	
	Ethernet specification	100BASE-TX/10BASE-T	
	Connection method	Special connector cables <ul style="list-style-type: none"> • Power supply and I/O: 1 cable • Touch Finder and computer: 1 cable 	
Ratings	Power supply voltage	20.4 to 26.4 VDC (including ripple)	
	Current consumption	2.4 A max.	
Environmental immunity	Ambient temperature range	Operating: 0 to 50°C Storage: -25 to 65°C (with no icing or condensation)	
	Ambient humidity range	Operating and storage: 35% to 85% (with no condensation)	
	Ambient atmosphere	No corrosive gas	
	Degree of protection	IEC 60529 IP67 (with polarizing filter attachment mounted.)	
Materials	Sensor	PBT, PC, SUS	
	Mounting Bracket	PBT	
	Polarizing Filter Attachment	PBT, PC	
	Ethernet connector	Oil-resistance vinyl compound	
I/O connector	Lead-free heat-resistant PVC		
Weight		Depends on field of vision and installation distance. Refer to the table below.	
Accessories		<ul style="list-style-type: none"> • Mounting Bracket (FQ-XL) (1) • Polarizing Filter Attachment (FQ-XF1) (1) • Instruction Manual • Quick Startup Guide • Member registration sheet 	

Single-function models		Standard models		Field of view* ¹ (Horizontal x Vertical)	Installation distance	Weight
NPN	PNP	NPN	PNP			
FQ-S10010F	FQ-S15010F	FQ-S20010F	FQ-S25010F	7.5x4.7 to 13x8.2 mm	38 to 60 mm	Approx. 160 g
FQ-S10050F	FQ-S15050F	FQ-S20050F	FQ-S25050F	13x8.2 to 53x33 mm	56 to 215 mm	Approx. 160 g
FQ-S10100F	FQ-S15100F	FQ-S20100F	FQ-S25100F	53x33 to 240x153 mm	Long-distance model: 220 to 970 mm	Approx. 150 g
FQ-S10100N	FQ-S15100N	FQ-S20100N	FQ-S25100N	29x18 to 300x191 mm	Short-distance model: 32 to 380 mm	Approx. 150 g

*¹ Tolerance: ±10% max.

Touch Finder

Item	Model with DC power supply		Model with AC/DC/battery power supply
	FQ-D30		FQ-D31
Number of connectable Sensors	8 max.		
Main functions	Types of measurement displays		Last result display, Last NG display, trend monitor, histograms
	Types of display images		Through, frozen, zoom-in, and zoom-out images
	Data logging		Measurement results, measured images
	Menu language		English, German, French, Italian, Spanish, Traditional Chinese, Simplified Chinese, Korean, Japanese
Indications	LCD	Display device	3.5-inch TFT colour LCD
		Pixels	320 x 240
		Display colours	16,777,216
	Backlight	Life expectancy ^{*1}	50,000 hours at 25°C
		Brightness adjustment	Provided
Screen saver	Provided		
Operation interface	Touch screen	Method	Resistance film
		Life expectancy ^{*2}	1,000,000
External interface	Ethernet		100BASE-TX/10BASE-T
	SD card		SDHC-compliant, Class 4 or higher recommended
Ratings	Power supply voltage		DC power connection: 20.4 to 26.4 VDC (including ripple) AC adapter connection: 100 to 240 VAC, 50/60 Hz Battery connection: FQ-BAT1 Battery
	Continuous operation on Battery ^{*3}		---
	Power consumption		DC power connection: 0.2 A
Environmental immunity	Ambient temperature range		Operating: 0 to 50°C Storage: -25 to 65°C (with no icing or condensation)
	Ambient humidity range		Operating and storage: 35% to 85% (with no condensation)
	Ambient atmosphere		No corrosive gas
	Degree of protection		IEC 60529 IP20 (when SD card cover, connector cap, or harness is attached)
Weight	Approx. 270 g (without Battery and hand strap attached)		
Materials	Case: ABS, Hand strap: Nylon		
Accessories	Touch Pen (FQ-XT), Instruction Manual		

^{*1} This is a guideline for the time required for the brightness to diminish to half the initial brightness at room temperature and humidity. The life of the backlight is greatly affected by the ambient temperature and humidity and will be shorter at lower or higher temperatures.

^{*2} This value is only a guideline. No guarantee is implied. The value will be affected by operating conditions.

^{*3} This value is only a guideline. No guarantee is implied. The value will be affected by the operating environment and operating conditions.

Battery Specifications

Item	FQ-BAT1
Battery type	Secondary lithium ion battery
Nominal capacity	1,800 mAh
Rated voltage	3.7V
Ambient temperature range	Operating: 0 to 40°C Storage: -25 to 65°C (with no icing or condensation)
Ambient humidity range	Operating and storage: 35% to 85% (with no condensation)
Charging method	Charged in Touch Finder (FQ-D31). AC adapter (FQ-AC_) is required.
Charging time ^{*1}	2.5 h
Battery backup life ^{*2}	300 charging cycles
Weight	50 g max.

^{*1} This value is only a guideline. No guarantee is implied. The value will be affected by operating conditions.

^{*2} This is a guideline for the time required for the capacity of the Battery to be reduced to 60% of the initial capacity. No guarantee is implied. The value will be affected by the operating environment and operating conditions.

System Requirements for PC tool for FQ

The following Personal Computer system is required to use the software.

OS	Microsoft Windows XP Home Edition/Professional SP2 or higher ^{*1} Microsoft Windows 7 Home Premium or higher ^{*1}
CPU	Core 2 Duo 1.06 GHz or the equivalent or higher
RAM	1GB min.
HDD	500 MB min. available space ^{*2}
Monitor	1,024 x 768 dots min.

^{*1} The Japanese and English versions support only 32-bit OS versions.

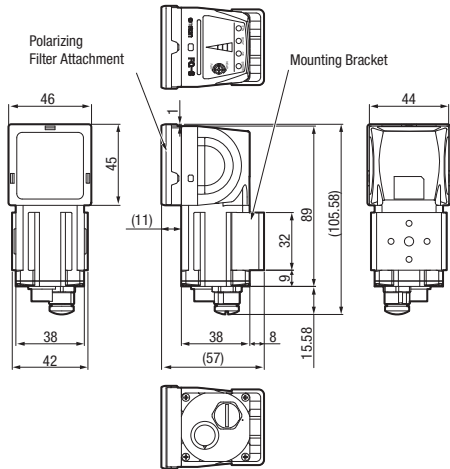
^{*2} Available space is also required separately for data logging.

Dimensions

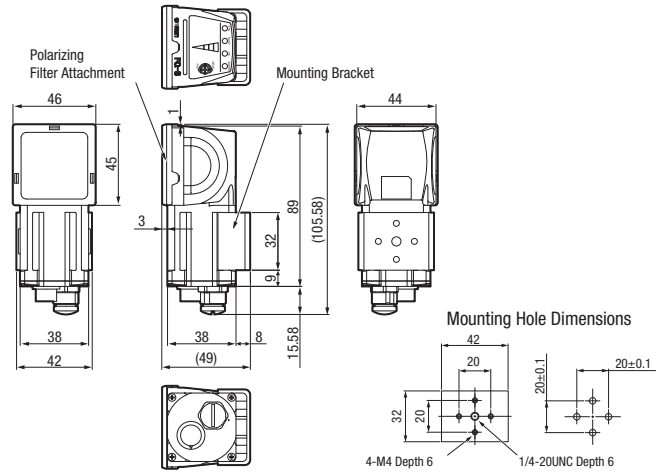
(Unit: mm)

Sensor

FQ-S10010F/-S10050F/-S15010F/-S15050F
FQ-S20010F/-S20050F/-S25010F/-S25050F

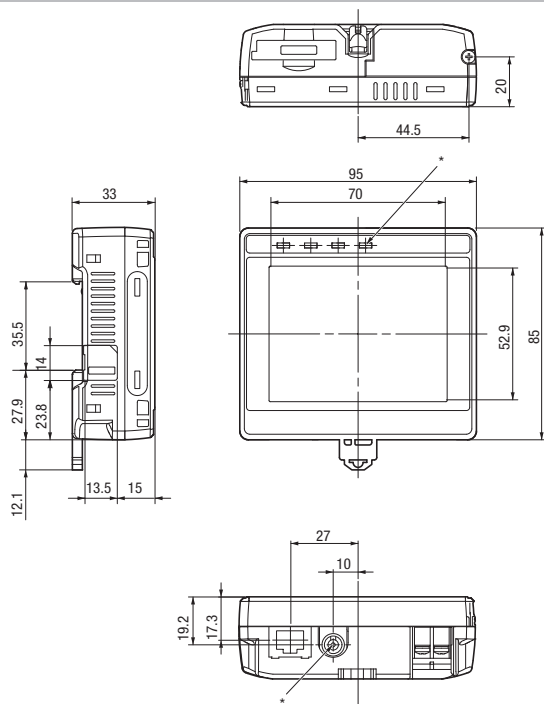


FQ-S10100F/-S10100N/-S15100F/-S15100N
FQ-S20100F/-S20100N/-S25100F/-S25100N



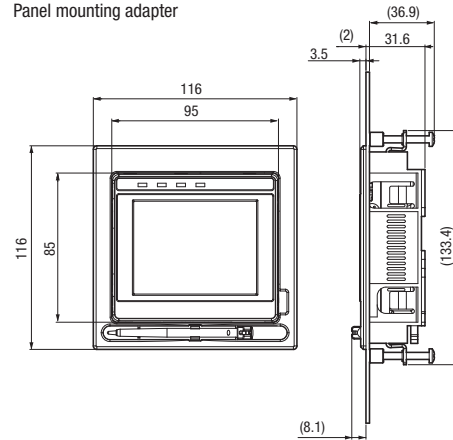
Touch Finder

FQ-D30/-D31

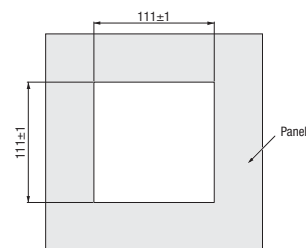


* Provided with FQ-D31 only.

Panel mounting adapter



Panel cutout dimensions



OMRON EUROPE B.V. Wegalaan 67-69, NL-2132 JD, Hoofddorp, The Netherlands. Tel: +31 (0) 23 568 13 00 Fax: +31 (0) 23 568 13 88 www.industrial.omron.eu

Austria

Tel: +43 (0) 2236 377 800
www.industrial.omron.at

Belgium

Tel: +32 (0) 2 466 24 80
www.industrial.omron.be

Czech Republic

Tel: +420 234 602 602
www.industrial.omron.cz

Denmark

Tel: +45 43 44 00 11
www.industrial.omron.dk

Finland

Tel: +358 (0) 207 464 200
www.industrial.omron.fi

France

Tel: +33 (0) 1 56 63 70 00
www.industrial.omron.fr

Germany

Tel: +49 (0) 2173 680 00
www.industrial.omron.de

Hungary

Tel: +36 1 399 30 50
www.industrial.omron.hu

Italy

Tel: +39 02 326 81
www.industrial.omron.it

Netherlands

Tel: +31 (0) 23 568 11 00
www.industrial.omron.nl

Norway

Tel: +47 (0) 22 65 75 00
www.industrial.omron.no

Poland

Tel: +48 (0) 22 645 78 60
www.industrial.omron.pl

Portugal

Tel: +351 21 942 94 00
www.industrial.omron.pt

Russia

Tel: +7 495 648 94 50
www.industrial.omron.ru

South Africa

Tel: +27 (0)11 608 3041
www.industrial.omron.co.za

Spain

Tel: +34 913 777 900
www.industrial.omron.es

Sweden

Tel: +46 (0) 8 632 35 00
www.industrial.omron.se

Switzerland

Tel: +41 (0) 41 748 13 13
www.industrial.omron.ch

Turkey

Tel: +90 216 474 00 40
www.industrial.omron.com.tr

United Kingdom

Tel: +44 (0) 870 752 08 61
www.industrial.omron.co.uk

More Omron representatives
www.industrial.omron.eu

Automation Systems

- Programmable logic controllers (PLC) • Human machine interfaces (HMI) • Remote I/O
- Industrial PC's • Software

Motion & Drives

- Motion controllers • Servo systems • Inverters

Control Components

- Temperature controllers • Power supplies • Timers • Counters • Programmable relays
- Digital panel indicators • Electromechanical relays • Monitoring products • Solid-state relays
- Limit switches • Pushbutton switches • Low voltage switch gear

Sensing & Safety

- Photoelectric sensors • Inductive sensors • Capacitive & pressure sensors
- Cable connectors • Displacement & width-measuring sensors • Vision systems
- Safety networks • Safety sensors • Safety units/relay units • Safety door/guard lock switches

Although we strive for perfection, Omron Europe BV and/or its subsidiary and affiliated companies do not warrant or make any representations regarding the correctness or completeness of the information described in this document. We reserve the right to make any changes at any time without prior notice.